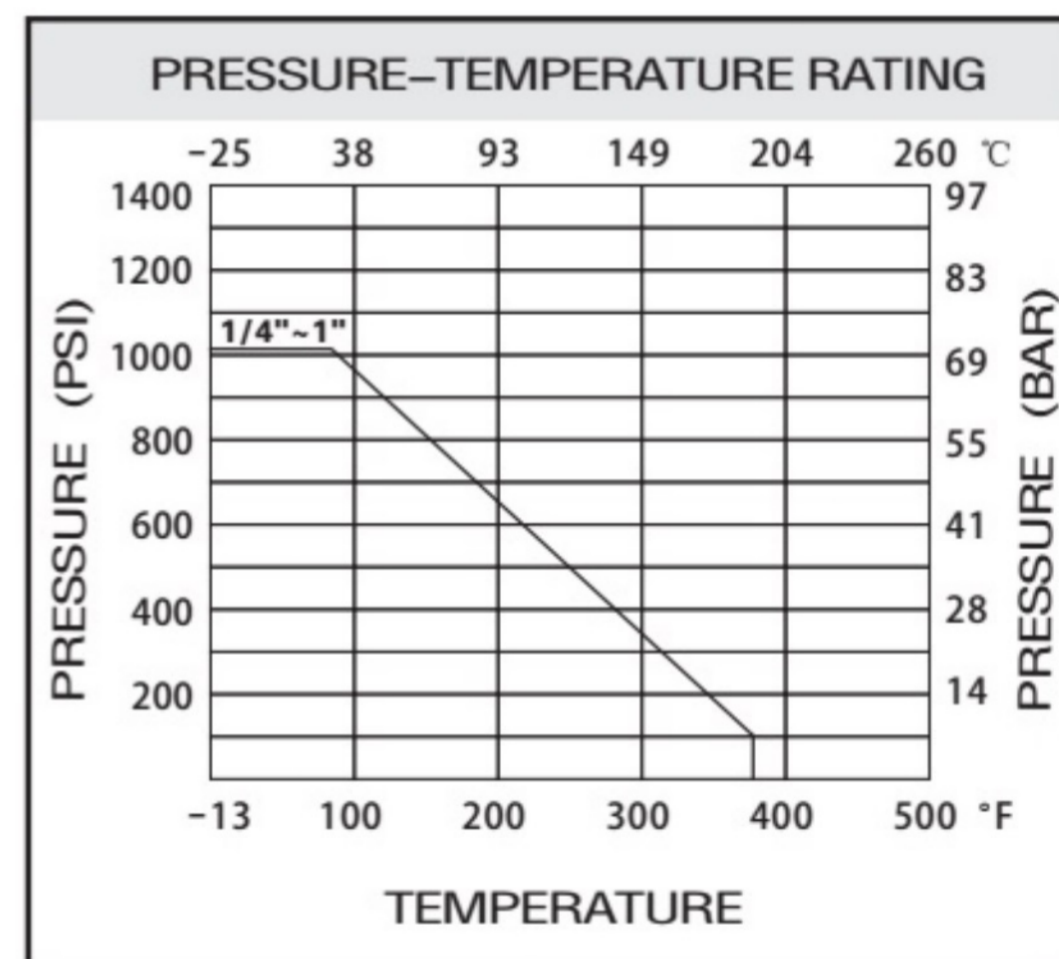
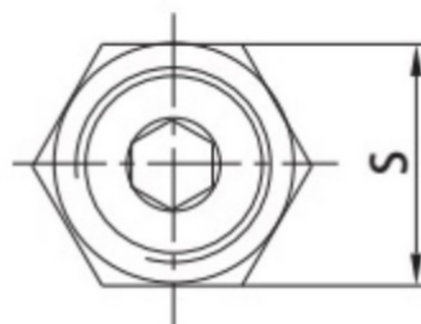
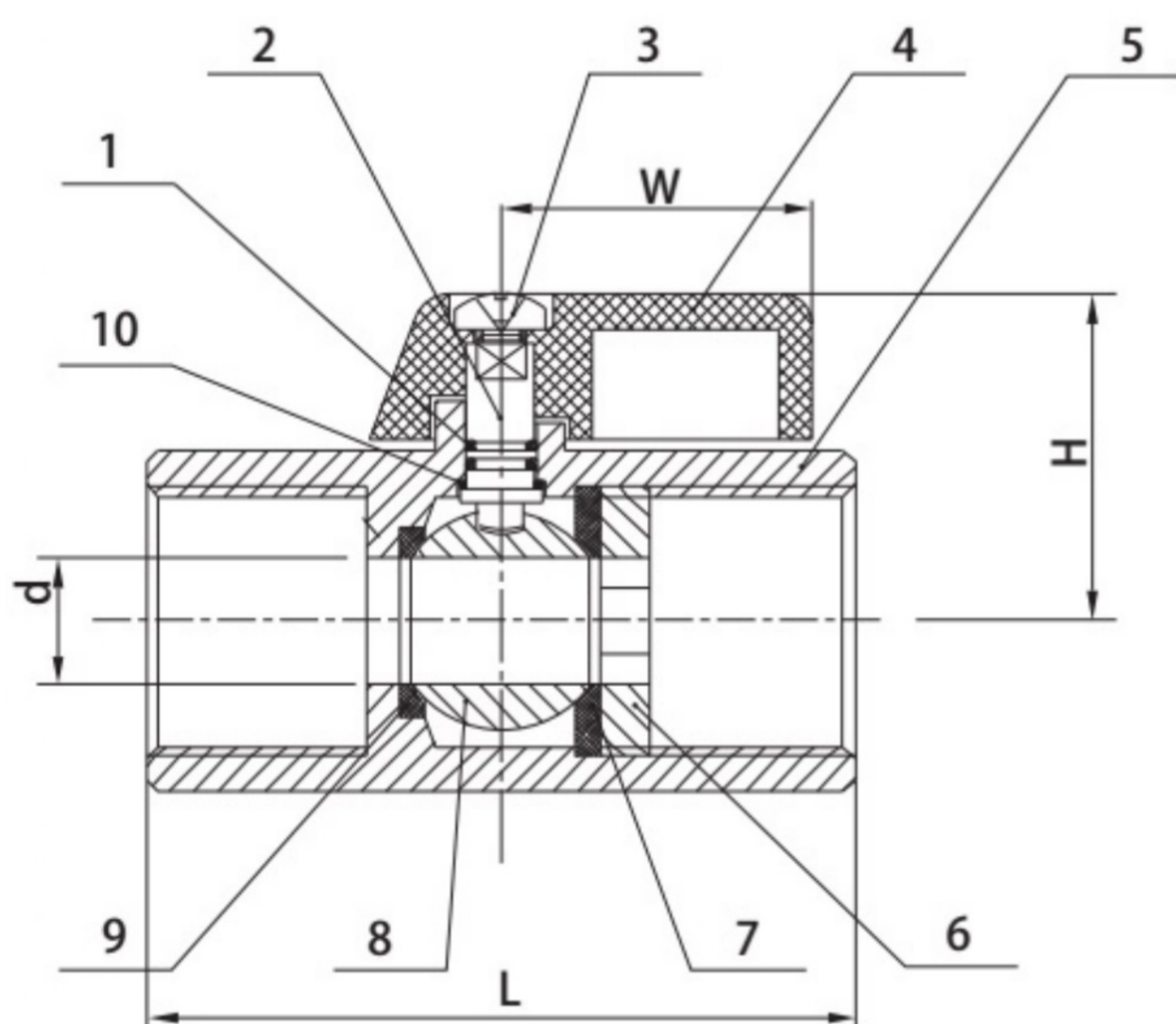




MV-17

Mini Ball Valve

- Investment casting for body and cap
- Reduce bore
- Threaded ends: ANSI B2.1, BS21, ISO7 / 1
- Pressure rating : 1000 PSI (PN63)
- Working temperature: -25°C +180°C
- Material: CF8M, CF8, CF3M, WCB



DIMENSION LIST

SIZE	d	L	H	W	S
1/4"	8	40	26.5	22.8	21
3/8"	8	41	26.5	22.8	21
1/2"	9.2	46	28.3	22.8	24.5
3/4"	12.5	55	31.5	22.8	31
1"	15	65	34	22.8	37.5

MATERIAL LIST

ITEM	PART	MATERIAL	QTY
1	O-ring	VITON	2
2	Stem	SS316	1
3	Bolt	SS304	1
4	Lever	Aluminum Alloy	1
5	Body	CF8M	1
6	Cap	CF8M	1
7	Ball Seat (A)	PTFE	1
8	Ball	SS316	1
9	Ball Seat (B)	PTFE	1
10	Thrust Washer	PTFE	1