



SPRINKLER

Upright / Standart Response – Quick Response



Description

AZ003 /AZ004 Standard / Quick Response Upright sprinklers are designed for use in light and ordinary hazards. The temperature response is standard response (5 mm glass bulb) and quick response (3mm glass bulb). The sprinklers come with compact design, glass bulb type, available in several different finishes and temperature ratings. The upright sprinklers are to be installed in the upright position.

Sprinkler Operation

During a fire conditions, the thermal-sensitive liquid in the glass bulb expands, causing the bulb to shatter, releasing the button and spring seal assembly. Water flowing through the sprinkler orifice strikes the sprinkler deflector, forming a uniform spray pattern to extinguish or control the fire.

Care and Handling

Sprinklers must be handled with due care, they must be stored at ambient temprature for best results. Storage as well as any onward shipment is to be made in original packing only. Sprinklers must be visually inspected carefully before installation. Sprinklers visibly damaged, dropped or exposed to temperature in excess of the maximum ambient temperature permitted, should never be installed. Never install any glass blub sprinkler if the bulb is cracked or if there is a loss of liquid from the bulb. Sprinkler must be installed after the piping is in place to prevent mechanical damage. Use Teflon Tape or soft thread sealent on male thread of the Sprinkler for the leak tight Sprinkler joint. Use proper wrench and appropriate torque. Excessive tightening torque may distort the Sprinkler inlet and cause leakage. Sprinkler must never be painted, plated or coated after they leave factory.

The AYVAZ Sprinkler described herein must be installed and maintained in accordance with the latest edition of AYVAZ technical data, the latest standard of National Fire protection Association (NFPA) and UL Listings standard of any other authorities having jurisdiction. The owner is solely responsible for maintaining their fire protection system and device in proper operating condition.

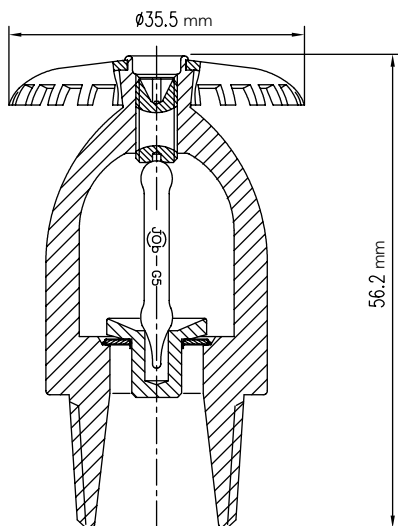
Inspection Testing and Maintenance

Refer to NFPA 25 for inspection testing and maintenance requirement or to the authority having jurisdiction. For details of warranty, refer AYVAZ's current price list, conditions of sale or contact AYVAZ directly.



SPRINKLER

Dimensions



UPRIGHT		
SPRINKLER IDENTIFICATION NUMBER (SIN)	AZ003	AZ004
COVERAGE	Standart Coverage	
RESPONSE TIME INDEX (RTI)	Standart Response (5mm Glass Bulb)	Quick Response (3mm Glass Bulb)
SIZE	1/2" npt	
K FACTOR	5.6 (80)	
FINISH	Brass, Chrome	
OPERATING TEMPERATURES	57°C (135°F), 68°C (155°F), 79°C (175°F), 93°C (200°F)	
LISTINGS	UL Listed	
MIN. WORKING PRESSURE	7 PSI (0,5bar)	
MAX. WORKING PRESSURE	175PSI (12bar)	
FACTORY HYDROSTATIC TEST PRESSURE	500 PSI (35 Bar)	

MATERIAL SPECIFICATION	
Frame	Bronze Forging UNS-C87400 or Casting DZR
Deflector	Brass UNS-28000
Glass Bulb	Glass with Glycerin Solution, JOB® G5 or Day-Impex-937 for AZ003/ AZ005 JOB® F3 Or Day-Impex-941 for AZ004/ AZ006
Set Screw	Brass UNS-28000
Button	Brass UNS-28000
Spring	Stainless Steel
Seal	Teflon® Tape



SPRINKLER

Pendent / Standart Response – Quick Response



Description

AZ005 / AZ006 Standard / Quick Response Pendent sprinklers are designed for use in light and ordinary hazards. The temperature response is standard response (5 mm glass bulb) and quick response (3mm glass bulb). The sprinklers come with compact design, glass bulb type, available in several different finishes and temperature ratings. The pendent sprinklers must be installed in pendent position. Pendent Recessed Sprinklers are installed with adjustable or non-adjustable Escutcheon plates (also termed as Rosette plates). These are intended to be installed with finished ceilings. Escutcheon plate adjustment provides convenience in Pendent Sprinkler installation in case of areas with finished ceilings or walls.

Sprinkler Operation

During a fire conditions, the thermal-sensitive liquid in the glass bulb expands, causing the bulb to shatter, releasing the button and spring seal assembly. Water flowing through the sprinkler orifice strikes the sprinkler deflector, forming a uniform spray pattern to extinguish or control the fire.

Care and Handling

Sprinklers must be handled with due care, they must be stored at ambient temperature for best results. Storage as well as any onward shipment is to be made in original packing only. Sprinklers must be visually inspected carefully before installation. Sprinklers visibly damaged, dropped or exposed to temperature in excess of the maximum ambient temperature permitted, should never be installed. Never install any glass blub sprinkler if the bulb is cracked or if there is a loss of liquid from the bulb. Sprinkler must be installed after the piping is in place to prevent mechanical damage. Use Teflon Tape or soft thread sealent on male thread of the Sprinkler for the leak tight Sprinkler joint. Use proper wrench and appropriate torque. Excessive tightening torque may distort the Sprinkler inlet and cause leakage. Sprinkler must never be painted, plated or coated after they leave factory.

The AYVAZ Sprinkler described herein must be installed and maintained in accordance with the latest edition of AYVAZ technical data, the latest standard of National Fire protection Association (NFPA) and UL Listings standard of any other authorities having jurisdiction. The owner is solely responsible for maintaining their fire protection system and device in proper operating condition.

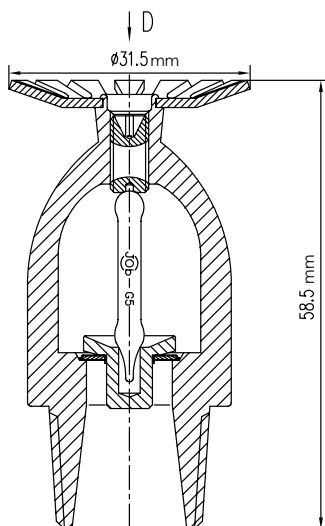
Inspection Testing and Maintenance

Refer to NFPA 25 for inspection testing and maintenance requirement or to the authority having jurisdiction. For details of warranty, refer AYVAZ's current price list, conditions of sale or contact AYVAZ directly.



SPRINKLER

Dimensions



PENDENT		
SPRINKLER IDENTIFICATION NUMBER (SIN)	AZ005	AZ006
COVERAGE	Standart Coverage	
RESPONSE TIME INDEX (RTI)	Standart Response (5mm Glass Bulb)	Quick Response (3mm Glass Bulb)
SIZE	1/2" npt	
K FACTOR	5.6 (80)	
FINISH	Brass, Chrome, White Polyster	
OPERATING TEMPERATURES	57°C (135°F), 68°C (155°F), 79°C (175°F), 93°C (200°F)	
LISTINGS	UL Listed	
MIN. WORKING PRESSURE	7 PSI (0,5bar)	
MAX. WORKING PRESSURE	175PSI (12bar)	
FACTORY HYDROSTATIC TEST PRESSURE	500 PSI (35 Bar)	

MATERIAL SPECIFICATION	
Frame	Bronze Forging UNS-C87400 or Casting DZR
Deflector	Brass UNS-28000
Glass Bulb	Glass with Glycerin Solution, JOB® G5 or Day-Impex-937 for AZ003/ AZ005 JOB® F3 Or Day-Impex-941 for AZ004/ AZ006
Set Screw	Brass UNS-28000
Button	Brass UNS-28000
Spring	Stainless Steel
Seal	Teflon® Tape
Standard Escutcheon (Model A-1)	Cold Rolled Steel



SPRINKLER

Sidewall / Standart Response – Quick Response



Description

AZ001 / AZ002 Standard / Quick Response Pendent sprinklers are designed for use in light and ordinary hazards. The temperature response is standard response (5 mm glass bulb) and quick response (3mm glass bulb). The sprinklers come with compact design, glass bulb type, available in several different finishes and temperature ratings. The pendent sprinklers must be installed in pendent position. Pendent Recessed Sprinklers are installed with adjustable or non-adjustable Escutcheon plates (also termed as Rosette plates). These are intended to be installed with finished ceilings. Escutcheon plate adjustment provides convenience in Pendent Sprinkler installation in case of areas with finished ceilings or walls.

Sprinkler Operation

During a fire conditions, the thermal-sensitive liquid in the glass bulb expands, causing the bulb to shatter, releasing the button and spring seal assembly. Water flowing through the sprinkler orifice strikes the sprinkler deflector, forming a uniform spray pattern to extinguish or control the fire.

Care and Handling

Sprinklers must be handled with due care, they must be stored at ambient temperature for best results. Storage as well as any onward shipment is to be made in original packing only. Sprinklers must be visually inspected carefully before installation. Sprinklers visibly damaged, dropped or exposed to temperature in excess of the maximum ambient temperature permitted, should never be installed. Never install any glass bulb sprinkler if the bulb is cracked or if there is a loss of liquid from the bulb. Sprinkler must be installed after the piping is in place to prevent mechanical damage. Use Teflon Tape or soft thread sealant on male thread of the Sprinkler for the leak tight Sprinkler joint. Use proper wrench and appropriate torque. Excessive tightening torque may distort the Sprinkler inlet and cause leakage. Sprinkler must never be painted, plated or coated after they leave factory.

The AYVAZ Sprinkler described herein must be installed and maintained in accordance with the latest edition of AYVAZ technical data, the latest standard of National Fire protection Association (NFPA) and UL Listings standard of any other authorities having jurisdiction. The owner is solely responsible for maintaining their fire protection system and device in proper operating condition.

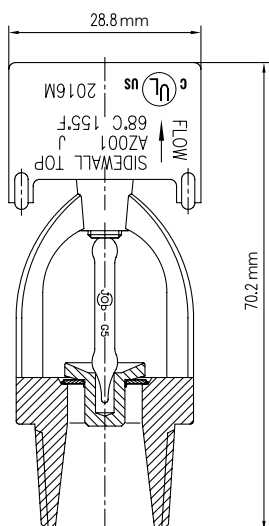
Inspection Testing and Maintenance

Refer to NFPA 25 for inspection testing and maintenance requirement or to the authority having jurisdiction. For details of warranty, refer AYVAZ's current price list, conditions of sale or contact AYVAZ directly.



SPRINKLER

Dimensions



SIDEWALL		
SPRINKLER IDENTIFICATION NUMBER (SIN)	AZ001	AZ002
COVERAGE	Standart Coverage	
RESPONSE TIME INDEX (RTI)	Standart Response (5mm Glass Bulb)	Quick Response (3mm Glass Bulb)
SIZE	1/2" npt	
K FACTOR	5.6 (80)	
FINISH	Brass, Chrome, White Polyster	
OPERATING TEMPERATURES	57°C (135°F), 68°C (155°F), 79°C (175°F), 93°C (200°F)	
LISTINGS	UL Listed	
MIN. WORKING PRESSURE	7 PSI (0,5bar)	
MAX. WORKING PRESSURE	175PSI (12bar)	
FACTORY HYDROSTATIC TEST PRESSURE	500 PSI (35 Bar)	

MATERIAL SPECIFICATION	
Frame	Bronze Forging UNS-C87400 or Casting DZR
Deflector	Brass UNS-28000
Glass Bulb	Glass with Glycerin Solution, JOB@ G5 or Day-Impex-937 for AZ003/ AZ005
	JOB@ F3 Or Day-Impex-941 for AZ004/ AZ006
Set Screw	Brass UNS-28000
Button	Brass UNS-28000
Spring	Stainless Steel
Seal	Teflon@ Tape
Standard Escutcheon (Model A-1)	Cold Rolled Steel



SPRINKLER

Concealed Pendent / Standart Response – Quick Response



Description

AZ007 / AZ008 Standard / Quick Response Pendent Concealed Sprinklers are thermo-sensitive glass bulb sprinklers having decorative flat cover plate designed to conceal the sprinkler for smooth ceiling. The cover plates are available in several decorative finishes to match architectural requirements. The unique design allows installation and testing of the sprinkler prior to installation of the cover plate with cup. Sprinkler housing is threaded to fix cover plate with cup assembly to provide 12.7mm (1/2") vertical adjustment. The cover plate and cup design allows installation of the sprinkler and pressure testing of the fire fighting system prior to installation of a suspended ceiling or final painting of the ceiling. The sprinkler cover assembly can be removed and reinstalled for removal of ceiling panels for access to building service equipments. AYVAZ Pendent Concealed Sprinklers are Standard Response (5mm glass bulb) or Quick response (3mm glass bulb) with standard coverage

Sprinkler Operation

The Sprinkler operating device is state of the art heat responsive frangible glass bulb supplied by a world leader in this innovative technology. The glass bulb contains fluid which expands when exposed to heat. When rated temperature is reached, the bulb shatters and water flows through the sprinkler and strikes deflector, forming an uniform water spray pattern to control or extinguish fire.

Care and Handling

Sprinklers must be handled with due care, they must be stored at ambient temperature for best results. Storage as well as any onward shipment is to be made in original packing only. Sprinklers must be visually inspected carefully before installation. Sprinklers visibly damaged, dropped or exposed to temperature in excess of the maximum ambient temperature permitted should never be installed. Never install any glass bulbs sprinkler if the bulb is cracked or if there is a loss of liquid from the Bulb. Sprinkles must be installed after the piping is in place, to prevent mechanical damage. Do not attempt to make-up for insufficient adjustment in the Escutcheon plate by over tightening the sprinkler. Use Teflon tape or soft thread sealant on male thread of the sprinkler for leak tight sprinkler joint. Use proper wrench. Use appropriate torque. Excessive tightening torque may distort the sprinkler inlet and cause leakage. Sprinklers must never be painted, plated or coated after they leave factory.

The AYVAZ Sprinkler described herein must be installed and maintained in accordance with the latest edition of AYVAZ technical data, the latest standard of National Fire protection Association (NFPA) and UL Listings standard of any other authorities having jurisdiction. The owner is solely responsible for maintaining their fire protection system and device in proper operating condition.

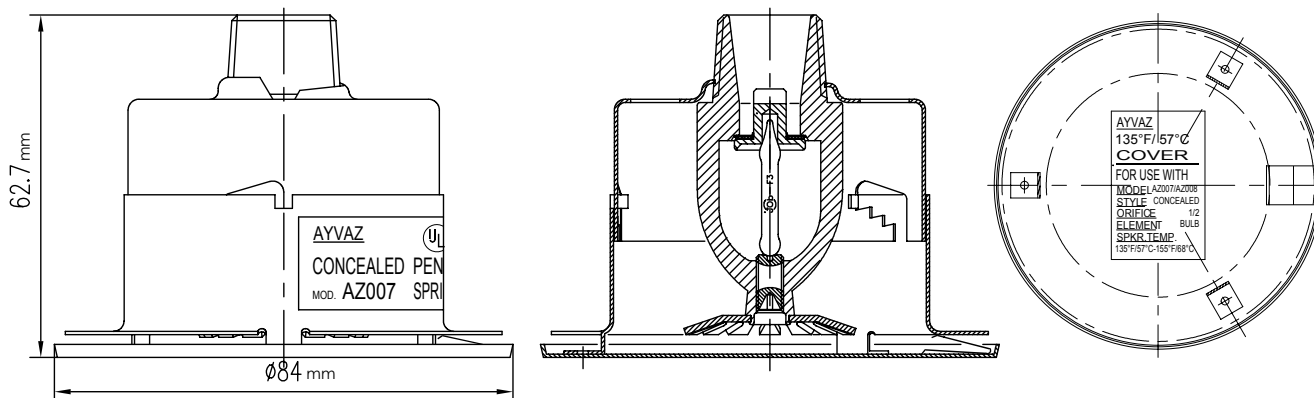
Inspection Testing and Maintenance

Refer to NFPA 25 for inspection testing and maintenance requirement or to the authority having jurisdiction. For details of warranty, refer AYVAZ's current price list, conditions of sale or contact AYVAZ directly.



SPRINKLER

Dimensions



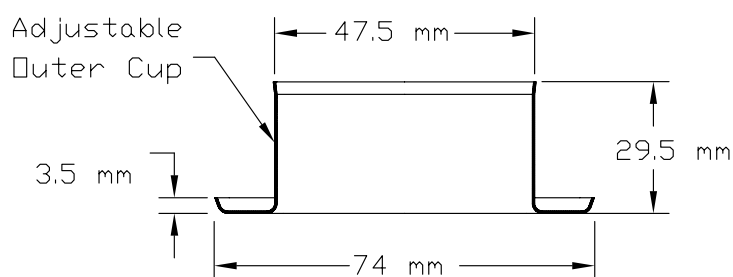
CONCEALED PENDENT		
SPRINKLER IDENTIFICATION NUMBER (SIN)	AZ007	AZ008
COVERAGE	Standart Coverage	
RESPONSE TIME INDEX (RTI)	Standart Response (5mm Glass Bulb)	Quick Response (3mm Glass Bulb)
SIZE	1/2" npt	
K FACTOR	5.6 (80)	
FINISH	Brass, Chrome, White Polyster	
OPERATING TEMPERATURES	57°C (135°F), 68°C (155°F), 79°C (175°F), 93°C (200°F)	
COVER PLATE TEMPERATURES	57°C (135°F), 68°C (155°F)	
LISTINGS	UL Listed	
MIN. WORKING PRESSURE	7 PSI (0.5bar)	
MAX. WORKING PRESSURE	175PSI (12bar)	
FACTORY HYDROSTATIC TEST PRESSURE	500 PSI (35 Bar)	

MATERIAL SPECIFICATION	
Frame	Bronze Forging UNS-C87400 or Casting DZR
Deflector	Brass UNS-28000
Glass Bulb	Glass with Glycerin Solution, JOB@ G5 or Day-Impex-937 for AZ003/ AZ005 JOB@ F3 Or Day-Impex-941 for AZ004/ AZ006
Set Screw	Brass UNS-28000
Button	Brass UNS-28000
Spring	Stainless Steel
Seal	Teflon® Tape
Standard Escutcheon (Model D-1)	Cold Rolled Steel

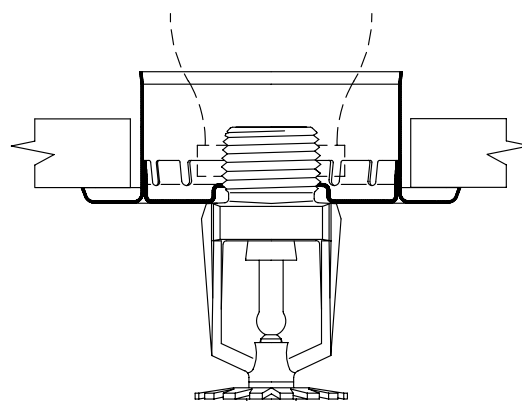


SPRINKLER ACCESSORIES

Two Piece Sprinkler Escutcheon / Model A-1



Model A-1



Description

Recessed two piece push fit rosette suitable for most 15mm pendent sprinkler heads. Two piece rosettes must be installed in accordance with the relevant guidelines issued by the Authority Having Jurisdiction. Maximum adjustment depth - 20mm

Material Specification

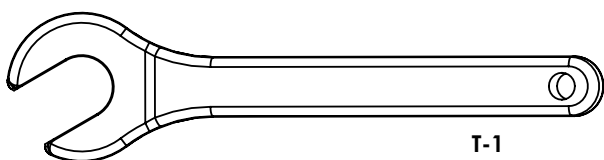
Item Material
Inner Pressed Spring Steel
Outer Pressed Steel
Weight 35g

Standard Finishes

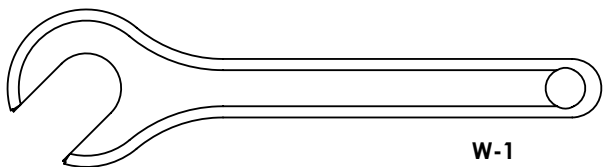
Polished Chrome
White (RAL9010)

SPRINKLER ACCESSORIES

Sprinkler Wrenches / Model T-1 / W-1



T-1



W-1

SPRINKLER MODEL	USE WRENCH
AZ001	T-1
AZ002	
AZ003	
AZ004	
AZ005	
AZ006	
AZ007	W-1
AZ008	

Sprinkler Cabinets / Model C-6 / C-12

NFPA 13 requires a representative number of each type and temperature rating of sprinkler head to be kept in a cabinet on the premises. NFPA 13 also requires a special sprinkler wrench to be provided in the cabinet. This allows for immediate removal and replacement of sprinklers that have operated or that have become damaged. Stock of spare sprinklers should include sprinklers of all the types and temperature ratings as are installed in the sprinkler system, in the following quantities:



NUMBER OF SPRINKLERS IN THE SYSTEM	MINIMUM NUMBER OF SPARE SPRINKLERS REQUIRED
Under 300	6
300-1,000	12
Over 1,000	24

CABINET CAPACITY	CABINET PART NAME
6 sprinklers	C-6
12 sprinklers	C-12