



BUTTERFLY VALVES

Grooved Butterfly Valve / Model ABV-G300

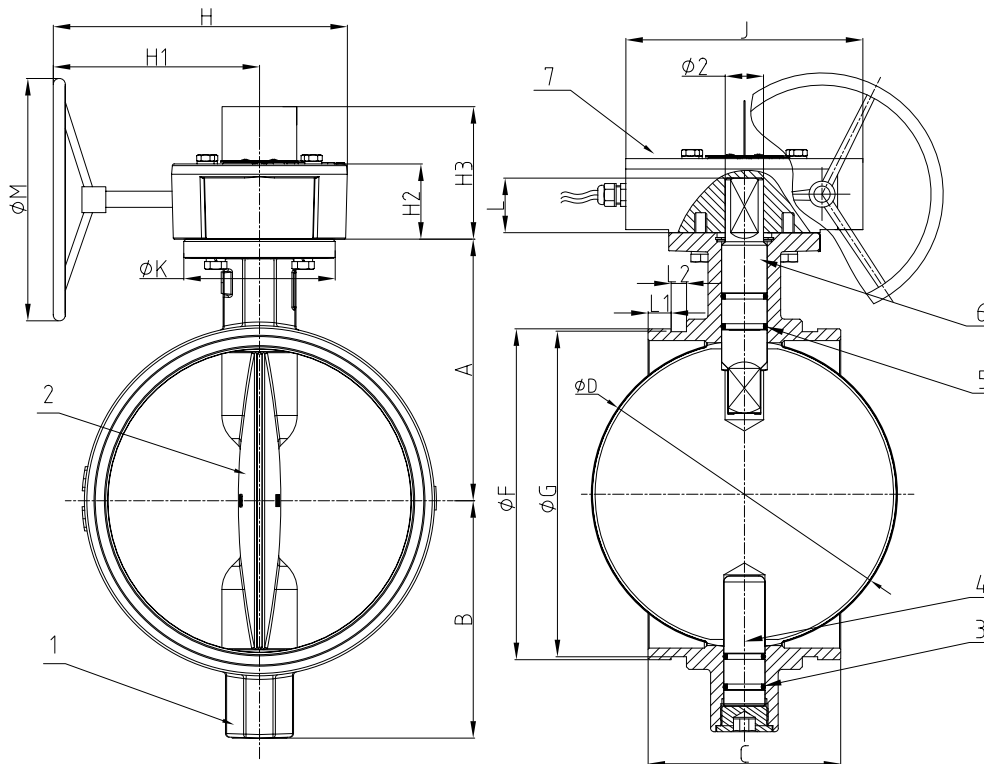


Size : 2", 2 1/2", 3", 4", 5", 6", 8", 10", 12"
Working Pressure : 20.6 bar (300psi)
Max. Test Pressure : 41.2 bar (600psi)
Working Temperature : 0-80°C (32-176°F)

Compatible with IPS Pipe
 UL Listed for indoor and outdoor service.

Material List

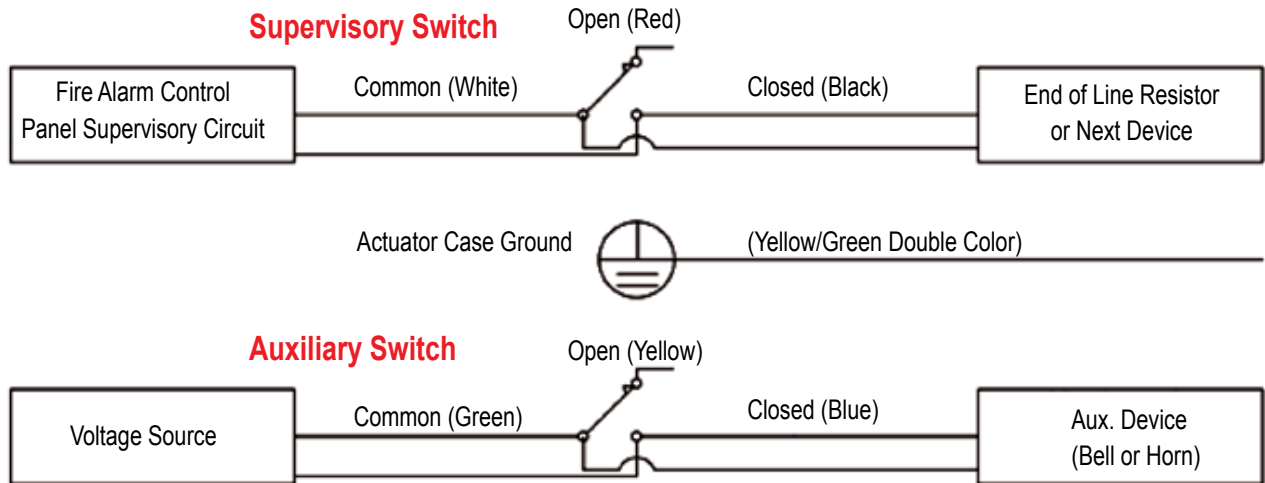
No	Part	Material	ASTM Specification
1	Valve Body	Ductile Iron	ASTM A536, 65-45-12
2	Disc	Ductile Iron	ASTM A536, 65-45-12 & EPDM
3	O-Ring	NBR	Commercial
4	Stem	Stainless Steel	AISI 431
5	O-Ring	NBR	Commercial
6	Stem	Stainless Steel	AISI 431
7	Signal Gear Box	Ductile Iron	ASTM A536, 65-45-12





BUTTERFLY VALVES

Wiring Diagram



Dimensions - Weights

SIZE		DIMENSIONS (mm)								
		A	B	C	ØD	ØF	ØG	L1	L2	L
DN50	2"	89	65	81	50,3	60,3	57,15	15,88	7,93	32
DN65	2 1/2"	102	71	97	60,8	73	69,09	15,88	7,93	32
DN65	2 1/2"	102	71	97	60,8	76,1	72,26	15,88	7,93	32
DN80	3"	109	81	97	76	88,9	84,94	15,88	7,93	32
DN100	4"	128	95	116	98,5	114,3	110,08	15,88	9,53	32
DN125	5"	141	111	148	122,6	139,7	135,48	15,88	9,53	32
DN125	5"	141	111	148	122,6	141,3	137,03	15,88	9,53	32
DN150	6"	153	133	148	148	165,1	160,9	15,88	9,53	32
DN150	6"	153	133	148	148	168,3	163,96	15,88	9,53	32
DN200	8"	184	164	133	199	219,1	214,4	19,05	11,1	45
DN250	10"	216	196	159	252	273	268,28	19,05	12,7	45
DN300	12"	254	226	165	300,5	323,9	318,29	19,05	12,7	45

SIZE		DIMENSIONS (mm)									WEIGHTS (kg)
		ØK	H	H1	H2	H3	J	ØM	Ø2	ISO 5211	
DN50	2"	90	208	151	65	108	147	150	14	F07	6,33
DN65	2 1/2"	90	208	151	65	108	147	150	14	F07	7,08
DN65	2 1/2"	90	208	151	65	108	147	150	14	F07	7,08
DN80	3"	90	208	151	65	108	147	150	14	F07	7,57
DN100	4"	90	208	151	65	108	147	150	16	F07	9,02
DN125	5"	90	208	151	65	108	147	150	16	F07	11,95
DN125	5"	90	208	151	65	108	147	150	16	F07	11,95
DN150	6"	90	208	151	65	108	147	150	20	F07	15,31
DN150	6"	90	208	151	65	108	147	150	20	F07	15,31
DN200	8"	125	298	223	77	121	184	200	26	F10	24,13
DN250	10"	125	298	223	77	121	184	200	26	F10	34,80
DN300	12"	125	298	224	77	121	184	250	28	F10	48,21