



DESCRIPTION

The functioning principle of the N.O. is very simple and extremely safe. Under tension the coil releases and springs up the closing device. The reset is manual to check the causes for gas detection. During normal conditions there is no electric absorption, no wear tear. The N.O. versions can be equipped with a manual closing push button, which can be used to replace a manual closing tap. Closing time <1 sec.

TECHNICAL SPECIFICATIONS

- ▶ **Body material:** Brass UNI EN 12164CWN; Aluminium
- ▶ **Protection class:** IP 65
- ▶ **Power supply voltage tolerance:** -15% +10%
- ▶ **Ambient temperature:** -15°C + 60°C
- ▶ **Max superficial temperature:** 70°C
- ▶ **According to Directive 2014/34/EU Atex**
- ▶ **According to Directive 2014/30/EU** (Electromagnetic Compatibility)
- ▶ **According to Directive 2014/35/EU** (Low Voltage)

AVAILABLE ON REQUEST

- ▶ NPT version
- ▶ Flanged connections version
- ▶ Other options like position indicator switches on the safety shut off.

MANUAL RESET TYPE

In order to be more reliable this solenoid valves can be reset only when electrically supplied and only if the gas detector doesn't send any danger signal.

REPAIR KIT

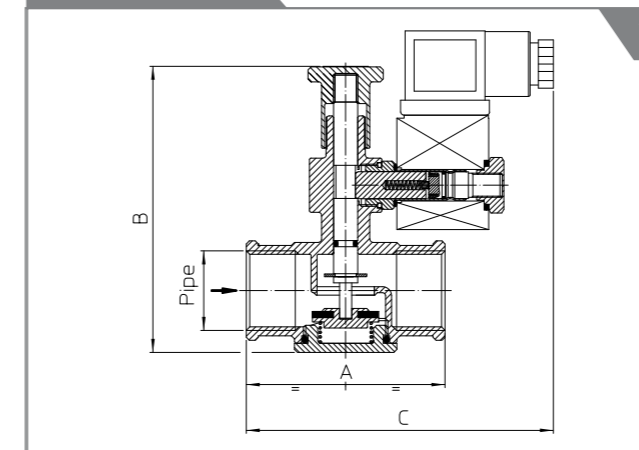
- ▶ These articles can not be supplied as spare part.



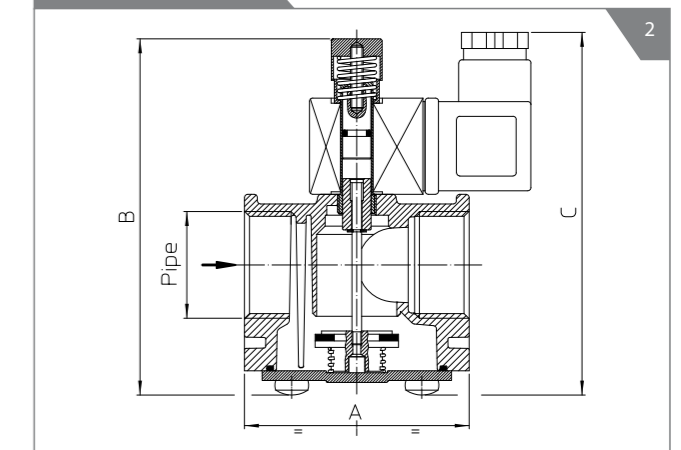
MD01	G04	A1	B	015	
Valve Series	G04= G 1/2	A1= N.A.	B= NBR	015	Orifice 10 ⁻¹ mm

Port connections	Ø [mm]	Max. working pressure [mbar]	Gas code	Coil type	Voltage code	Connector options Std included	Dimensions [mm]			Drawing reference
							A	B	C	
Normally opened in brass										
G 1/2	15	500	MD01G04A1B015	A	(See table)	A	66	95/107	102	1
G 3/4	20	500	MD01G05A1B020	A		A	66	95/107	102	1
G 1	25	500	MD01G06A1B025	B*		A - C	82	110/118	-	1
Normally opened in aluminium										
G 1/2	15	500	MD04G04A1B015	A	(See table)	A	70	111	113	2
G 3/4	20	500	MD04G05A1B020	A		A	70	111	113	2
G 1	25	500	MD04G06A1B025	A		A	70	111	113	2
Normally opened in aluminium with security key										
G 1/2	15	500	MD04G04A2B015	A	(See table)	A	70	111	123	2
G 3/4	20	500	MD04G05A2B020	A		A	70	111	123	2
G 1	25	500	MD04G06A2B025	A		A	70	111	123	2
Normally opened in aluminium										
G 1 1/4	32	500	MD03G07A1B032	B**	(See table)	A - C	160	196	-	3
G 1 1/2	40	500	MD03G08A1B040	B**		A - C	160	196	-	3
G 2	50	500	MD03G08A1B040	B**		A - C	160	220	-	3

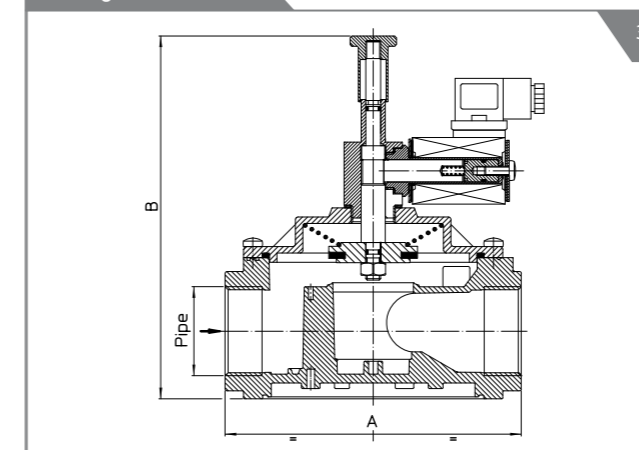
Drawing Reference



Drawing Reference



Drawing Reference



Coil type	Voltage [V]	Frequency [DC/Hz]	Power [W/VA]	Connector options	
A	01	12	DC	6	A
	11	12 ~	50/60	4	A
	21	24	DC	6	A
	31	24 ~	50/60	4	A
	61	110 ~	50/60	4	A
B*	71	230 ~	50/60	7	A
	02	12	DC	8	A
	13	12 ~	50/60	20	C
	22	24	DC	8	A
	33	24 ~	50/60	22	A
B**	63	110 ~	50/60	21	A
	72	230 ~	50/60	8	A
	03	12	DC	20	A
	13	12 ~	50/60	20	C
	23	24	DC	21	A
	33	24 ~	50/60	22	A
	63	110 ~	50/60	21	A
	74	230 ~	50/60	23	A

Connector options

A	Standard
C	Rectified (12V 50/60 Hz - 24V 50/60 Hz)

WARNING

For the solenoid valves installation and maintenance is recommended to consult the instruction sheet supplied with each product.

