

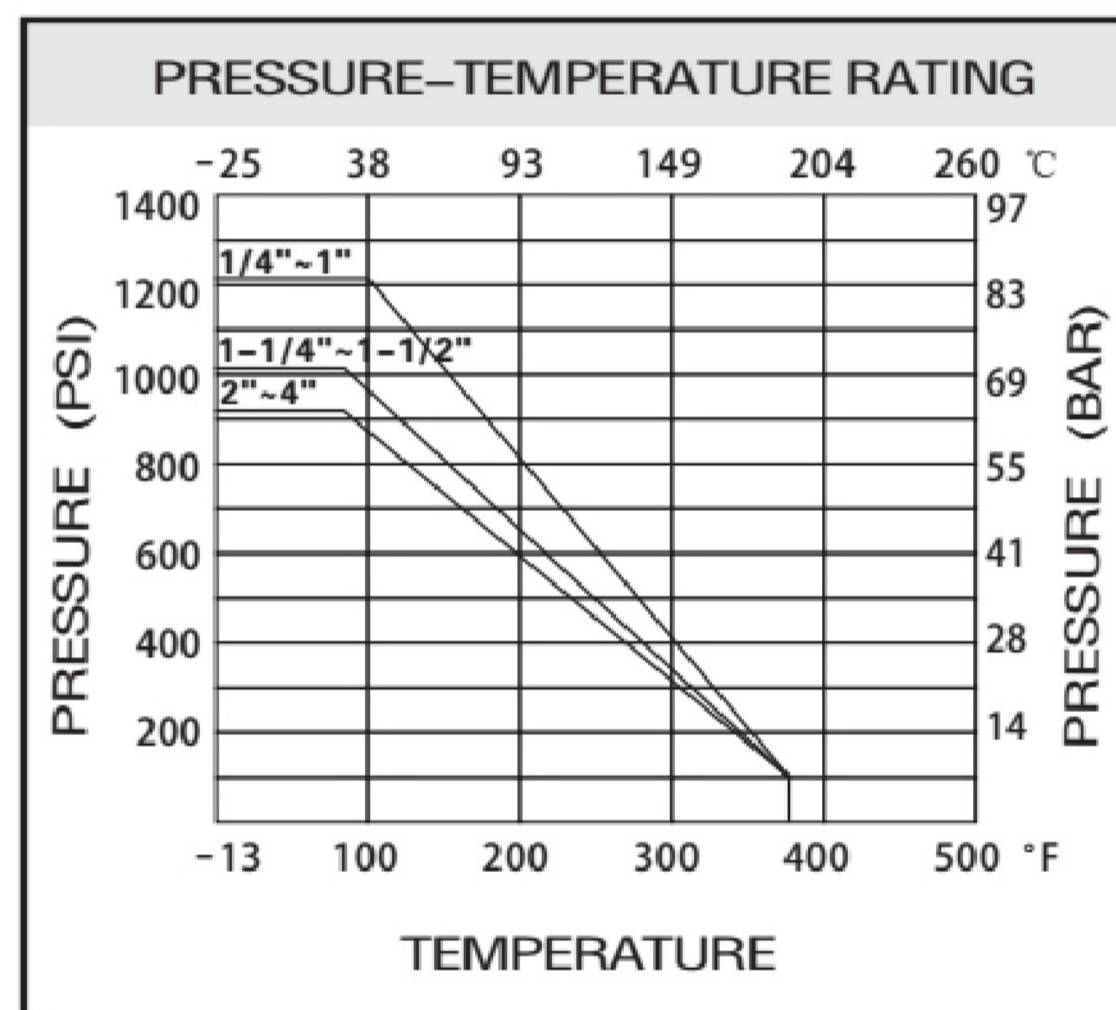
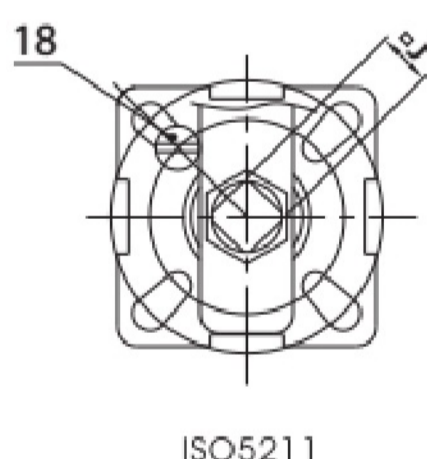
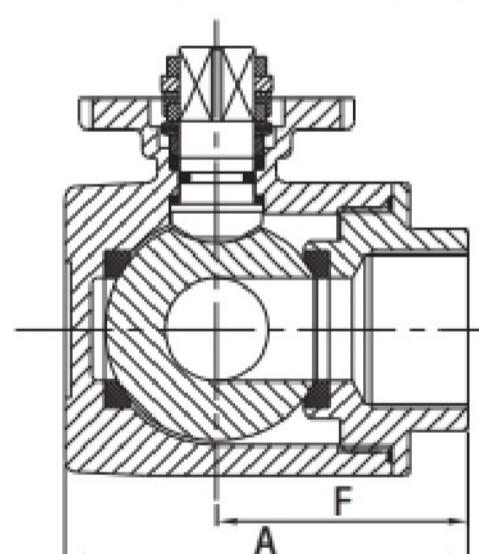
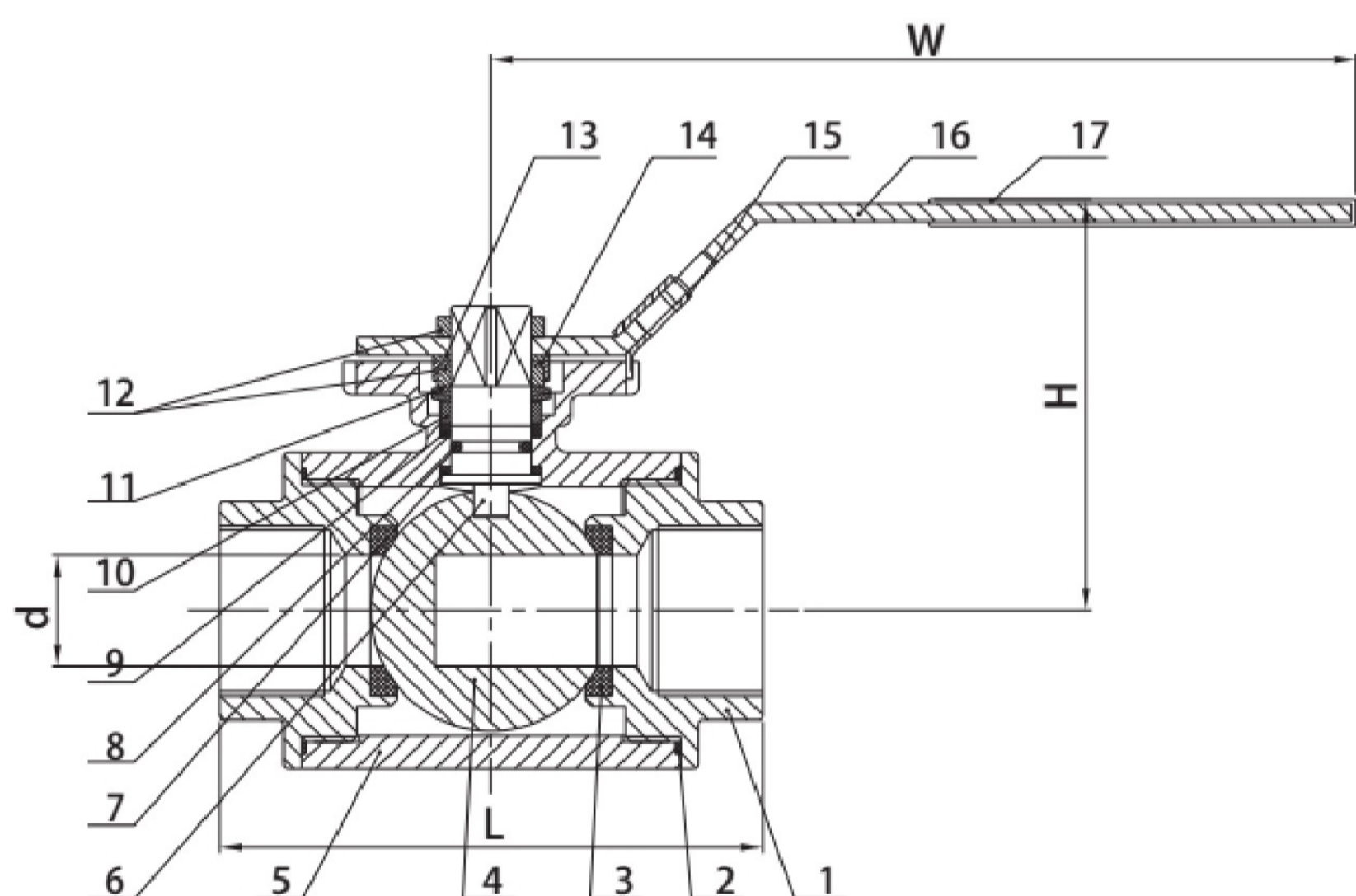


MV-85L

3-way Ball Valve with

■ Mounting Pad ("L"Type)

- Investment casting for body and cap
 - Reduce bore, "L" type
 - Thread: ANSI B2.1, BS21, ISO7 / 1
 - Mounting pad: ISO5211
 - Pressure rating: PN63(1000PSI)
 - Working temperature: -25°C +180°C
- Material: CF8M, CF8, CF3M, WCB



DIMENSION LIST

SIZE	d	L	H	W	F	A	J	ISO5211	N · m	Kgs
1/4"	9.5	75	66	130	37.5	57.5	9	F03/F04	8	0.70
3/8"	11	75	66	130	37.5	57.5	9	F03/F04	8	0.67
1/2"	12	75	66	130	37.5	57.5	9	F03/F04	8	0.63
3/4"	15	85	72	161	42.5	65.5	11	F04/F05	9	0.94
1"	20	100	77	161	50	79	11	F04/F05	15	1.39
1-1/4"	25	122	92	203	61	97	14	F05/F07	20	2.91
1-1/2"	32	131	96	203	65.5	106.5	14	F05/F07	30	3.66
2"	40	158	107	203	79	129	14	F05/F07	45	6.31
2-1/2"	49	178	135	254	89	145	17	F07/F10	70	8.95
3"	60	202	147	254	101	167	17	F07/F10	100	13.11
4"	75	246	160	310	123	203	17	F07/F10	150	22.10

MATERIAL LIST

ITEM	PART	MATERIAL	QTY
1	Cap	CF8M	3
2	Gasket	PTFE	3
3	Ball Seat	R-PTFE (15%)	4
4	Ball	SS316	1
5	Body	CF8M	1
6	Stem	SS316	1
7	Thrust Washer	PTFE	1
8	O-ring	VITON	1
9	Stem Packing	PTFE	1
10	Stem Ring	SS316	1
11	Belleville Washer	SS301	2
12	Nut	SS304	2
13	Plate Washer	SS304	1
14	Nut Stopper	SS304	1
15	Lock Device	SS304	1
16	Handle	SS304	1
17	Handle Sleeve	Plastic	1
18	Stop Pin	SS304	1